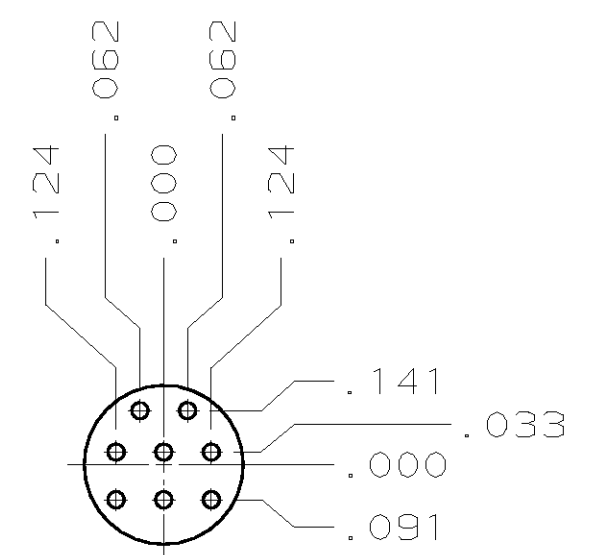
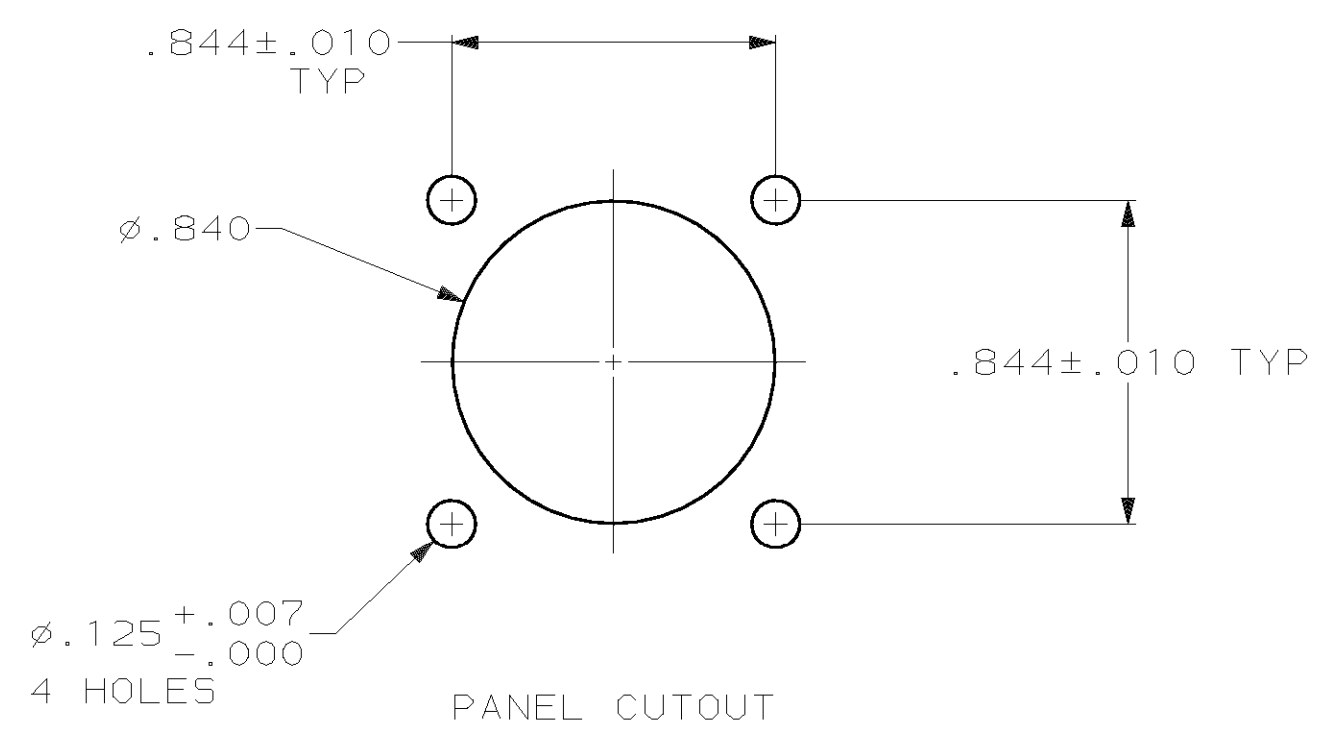
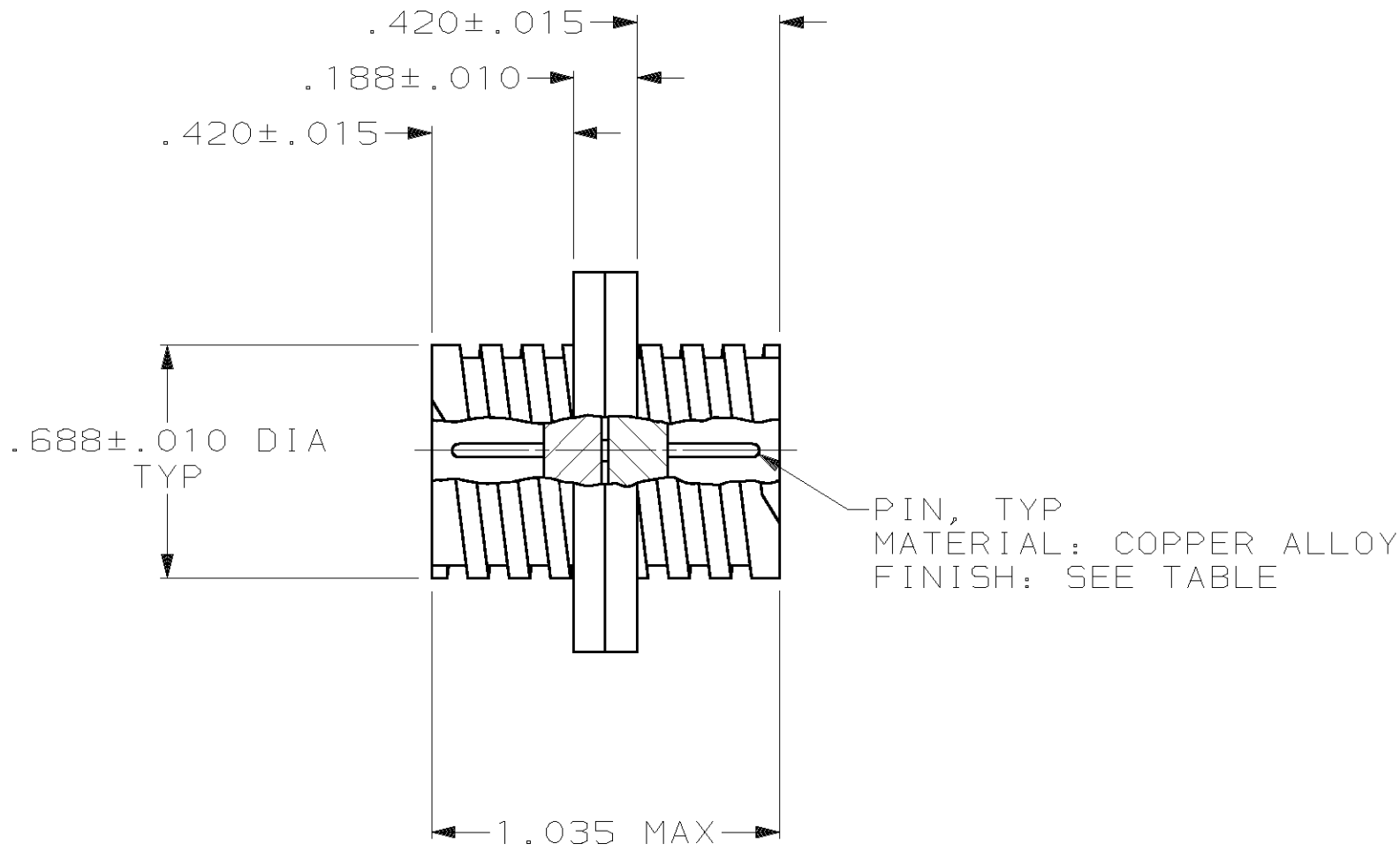
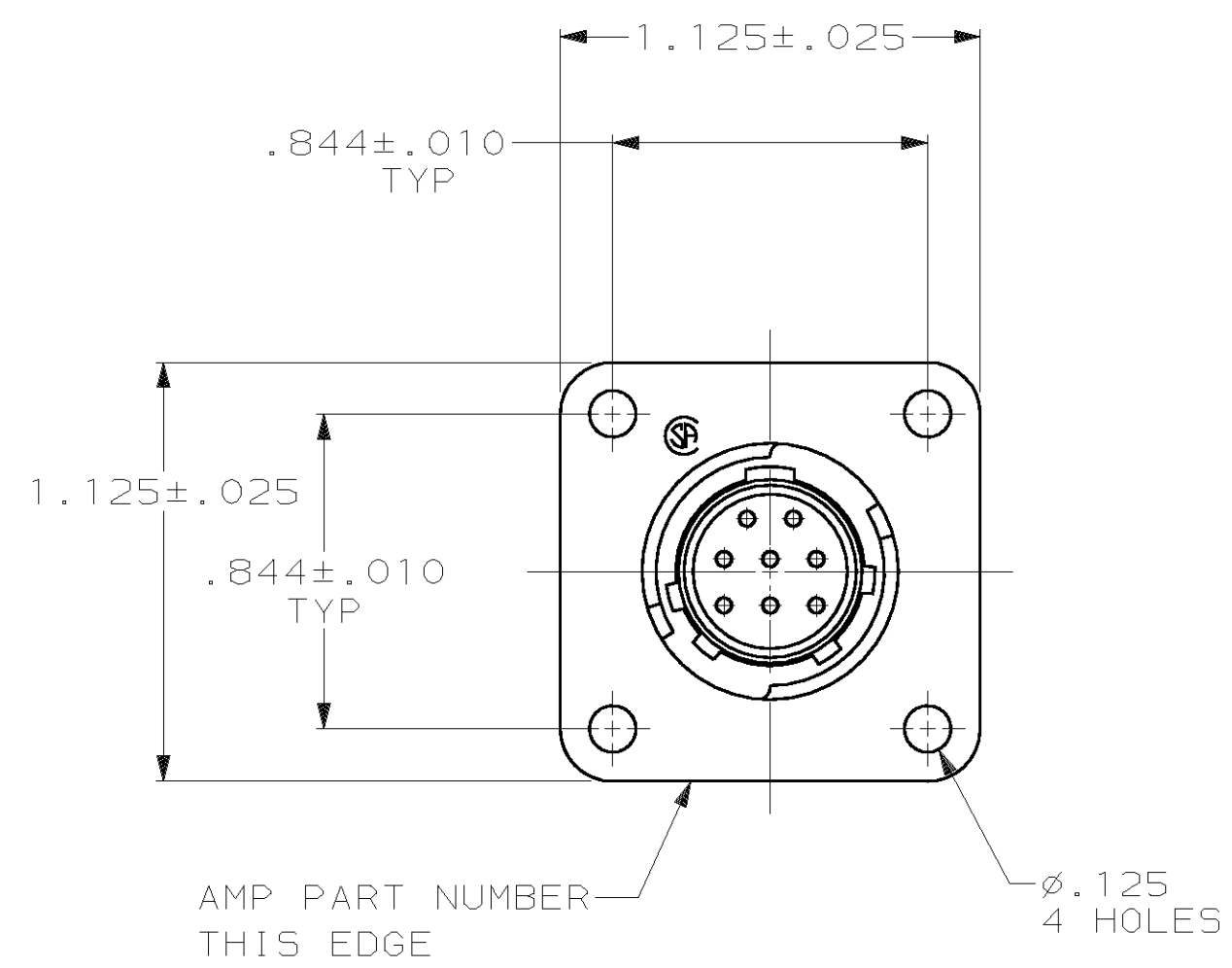


THIS DRAWING IS UNPUBLISHED. RELEASED FOR PUBLICATION
 © COPYRIGHT 19 BY AMP INCORPORATED. ALL INTERNATIONAL RIGHTS RESERVED.

LOC		DIST		P		F		ZONE		LTR		REVISIONS		
DESCRIPTION		DATE		APPD										
FT	0									E		REVISE PER ECN 063B-0261-00	13JUL00	SU/MC



- 1 GOLD PER MIL-G-45204 OVER NICKEL PER QQ-N-290.
- 2 TIN PER MIL-T-10727.
- 3 ACCOMODATES 8 SIZE 20 PIN CONTACTS, PERMANENTLY INSTALLED.

OBSOLETE	2	206458-2
	1	206458-1
	CONTACT FINISH	PART NUMBER

DO NOT SCALE PRINT. UNLESS SPECIFIED DIMENSIONS IN INCHES TOLERANCES ON:		DR 5-21-91 J GALLUCCI B6		AMP Incorporated Harrisburg, PA 17105-3608	
2 PLC DEC ± -		CHK 4-13-92 W.G.LENKER			
3 PLC DEC ± .005		APPD 4-13-92 K.BEAVER		NAME RECEPTACLE ASSEMBLY, FEED THRU, SERIES 2, 11-8, CPC	
ANGLES ± -		APPD 4-13-92 C.ROHDE			
MATERIAL		PRODUCT SPEC		SIZE	
RCPT: THERMOPLASTIC		108-10024		CAGE CODE	
COLOR: BLACK				DRAWING NO	
FINISH		APPLICATION SPEC		206458	
SEE TABLE		-		SCALE	
		WEIGHT		2:1	
				SHEET	
				1 OF 1	